



Dedalo

Coffee table

A contemporary side or cocktail table featuring a dark, polished stone top—such as black marble with white veining or green-flecked serpentine—and a bold, sculptural metal base. The base has an undulating, columnar design made of curved brass or bronze-finished metal sections that join to form a pedestal. This piece blends natural organic patterns from the stone with the architectural, metallic curves of the base to create a sophisticated, textured look.

Finishing

Available in an extensive range of refined marble, wood, lacquered and ceramic finishes. Each material is selected for its structural integrity and visual discipline, then executed with exacting craftsmanship. Every surface treated to emphasize depth, texture and permanence. These finishes elevate the character of the collection, reinforcing a unified aesthetic while allowing precise customization to suit varied interior visions.

Top Finishes

Available in a variety of :

Marble

Wood

Gres Ceramic

Glossy Lacquered Glass

Matt Lacquered Glass

Base Finishes

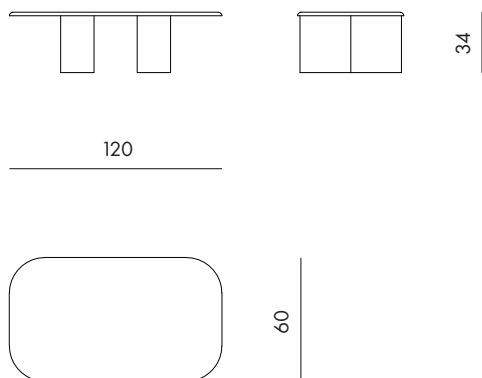
Available in a variety of :

Metal

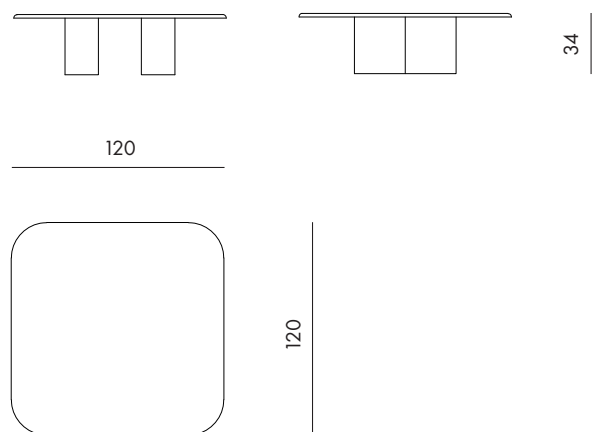
The finishings are available in multiple categories and delineations. Click on the link below to view and download the full range of finishes on offer.

[STI FINISHES](#)

Dedalo : Coffee table
Code : DEDALO/CT120R



Dedalo : Coffee table
Code : DEDALO/CT120Q



Dedalo : Coffee table
Code : DEDALO/CT120RO

